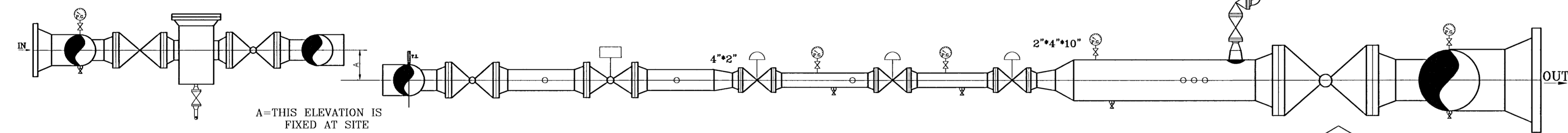
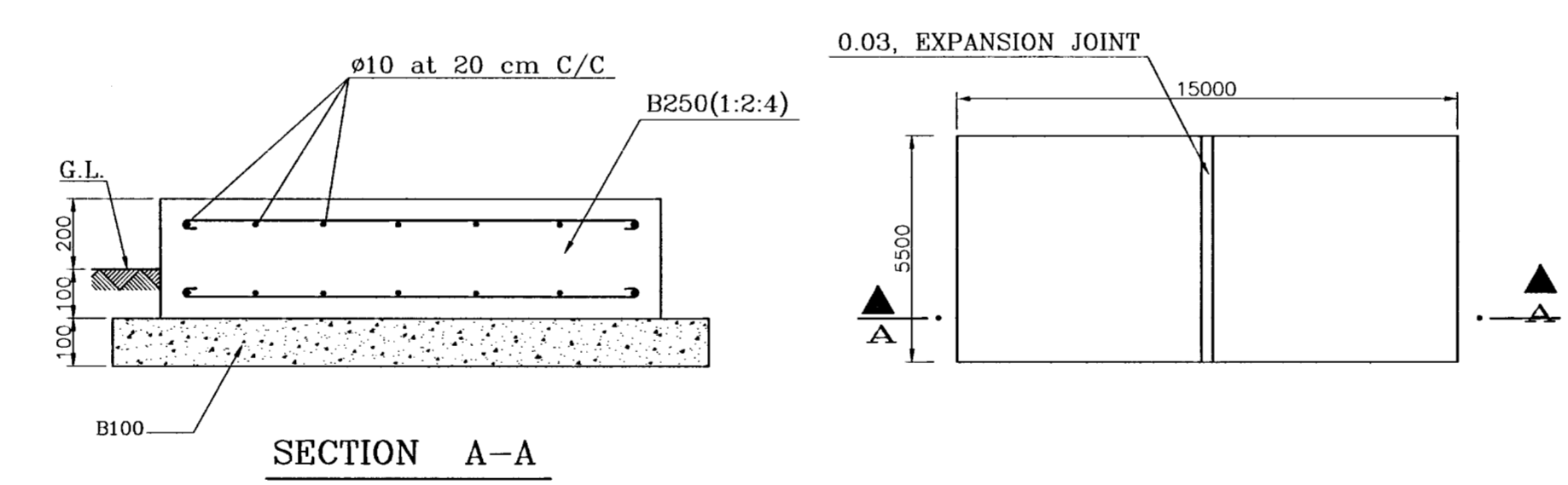
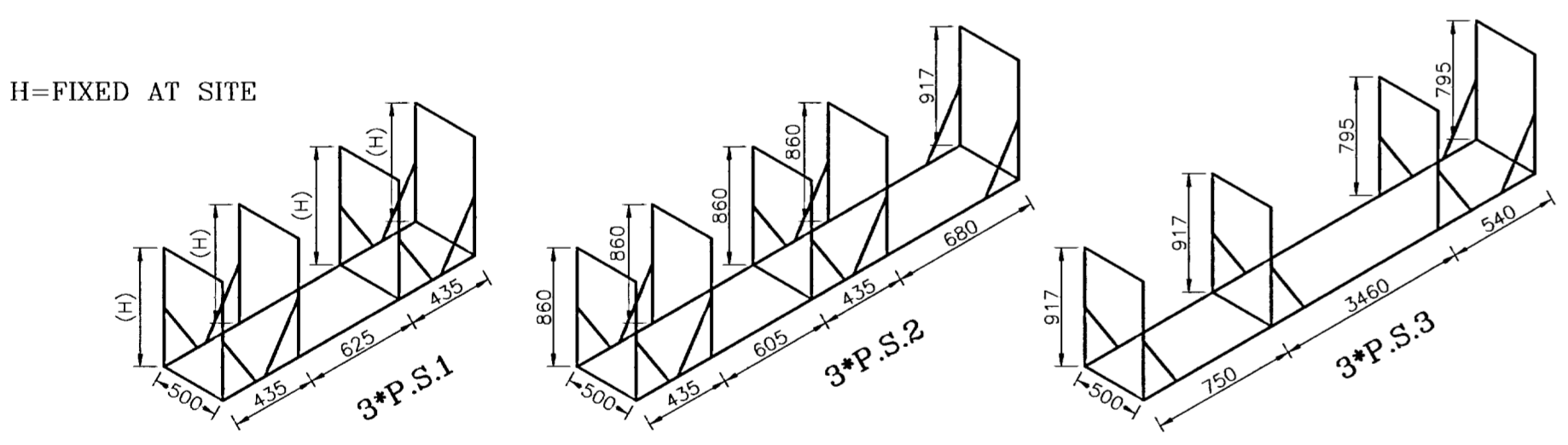


P L A N

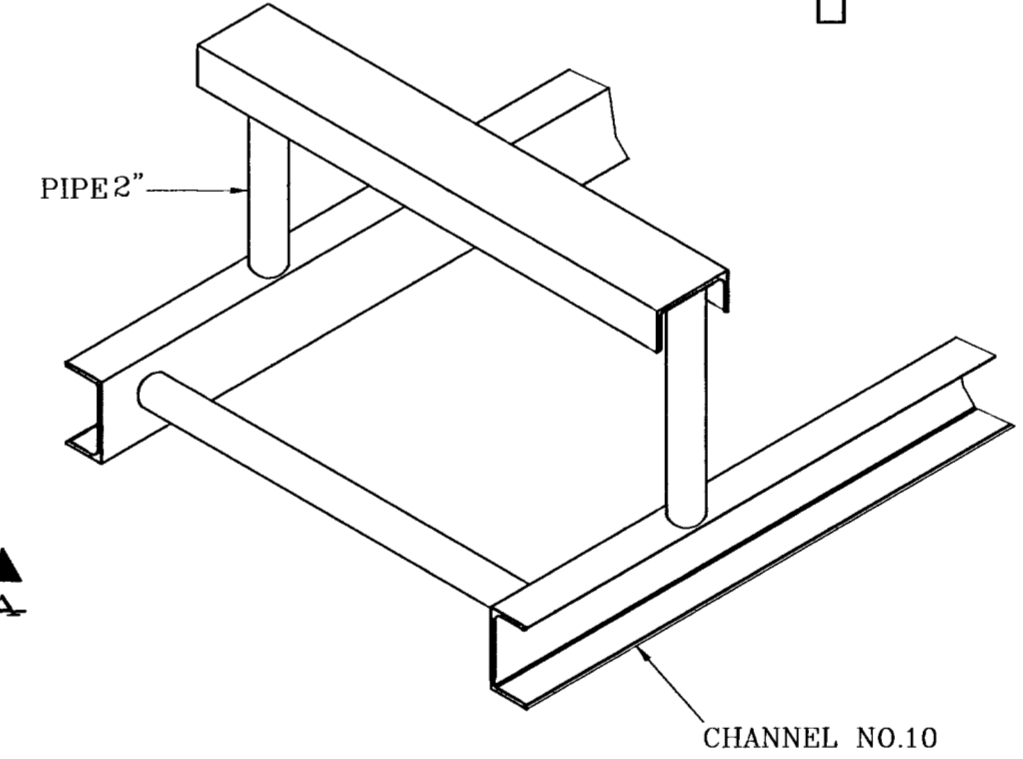


SECTION A-A



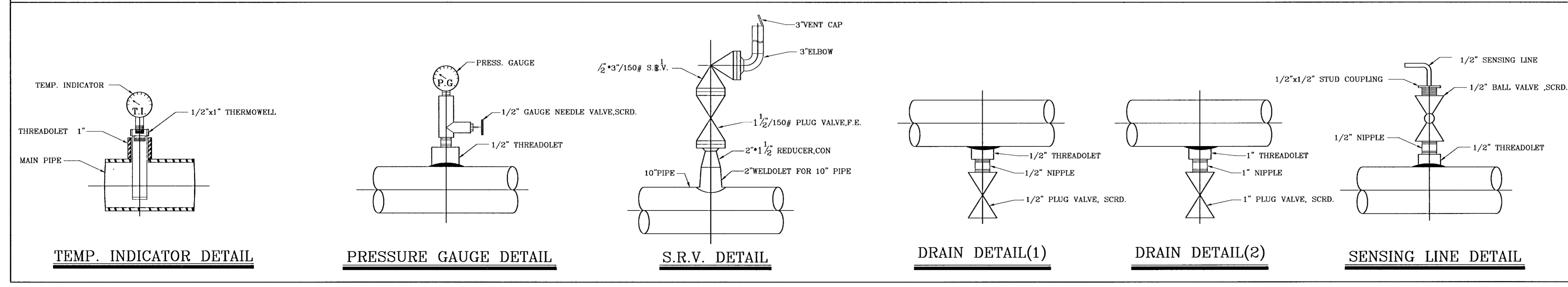
SECTION A-A

STATION FOUNDATION DETAIL



SUPPORT DETAIL

INSTRUMENT INSTALLATION DETAIL



| ITEM | SIZE | DESCRIPTION | CLASS |
|------|-------------|--------------------------------|-------|
| 1 | 2" | AXIAL FLOW VALVE (S.P.=250psi) | 600 |
| 2 | 2" | AXIAL FLOW VALVE (S.P.=60psi) | 600 |
| 3 | 1 1/2" x 3" | SAFETY RELIEF VALVE | 150 |
| 4 | 4" | DRY GAS FILTER | 600 |
| 5 | 4" | SAFETY SHUT OFF VALVE | 600 |
| 6 | 4" | PLUG VALVE, F.E. | 600 |
| 7 | 1 1/2" | PLUG VALVE, F.E. | 150 |
| 8 | 1" | PLUG VALVE, F.E. | 150 |
| 9 | 4" | BALL VALVE, F.E. | 600 |
| 10 | 10" | BALL VALVE, F.E. | 150 |

SETTING DATA

| | CUT1 | | CUT2 | | S.R.V. | S.S.O.V. |
|-------|------|-------|--------|----|--------|----------|
| | REG. | M.REG | A.REG. | | | |
| RUN 1 | 250 | 62 | 60 | 66 | 72 | |
| RUN 2 | 250 | 60 | 58 | 66 | 74 | |

NOTES

- 1-ALL DIMENSIONS ARE IN mm.
- 2-ALL WELDING JOINTS SHOULD BE INSPECTED & RADIOGRAPHED 100%.
- 3-THE STATION SHOULD BE HYDROSTATICALLY TESTED UP TO 1.5xMAX W.P.
- 4-SUPPORT NO.1 DIM'S ARE BASED ON FILTER HEIGHT AND OTHER SUPPORTS DIM'S ARE BASED ON 1000mm ST.HEIGHT.
- 5-FOR ST. FENCING DETAIL SEE DRG. NO. SC-6109/A
- 6-INLET, OUTLET AND BY-PASS VALVES OF HEATER AND ALSO THE ORIFICE METER HAVE BEEN CONSIDERED IN THE HEATER INSTALLATION PACKAGE DOCUMENT.
- *TO COMPLETE THIS DRAWING REFER TO DROWING NO N3-4027*

DESIGN DATA

| | | |
|------------------|----------|------|
| P _{IN} | 600-1000 | PSIG |
| P _{OUT} | 60 | PSIG |
| Q _S | 30000 | SCMH |

LIMITING COMPONENT=METER

| | | | | | |
|------|----------------------------|------------|---------|---------------|---------|
| F | | | | | |
| E | | | | | |
| D | | | | | |
| C | | | | | |
| B | | | | | |
| A | APPROVED AS A STANDARD MAP | B.DERGHANI | 86/4/17 | A.MEYDANSHAHI | 86/4/17 |
| REV. | DESCRIPTION | CHECK | DATE | APR | DATE |

NATIONAL IRANIAN GAS COMPANY

GAS DELIVERY TO INDUSTRIES AND POWER PLANT AFFAIRS
ENGINEERING SECTION AND TECHNICAL SERVICES.

STD.ST.1000.60.30000

| DRAWN (CONSULTANT) | DRAWN CH. (CONSULTANT) | FINAL CH. | SCALE | DRAWING NO. |
|---------------------|------------------------|------------|---------|---------------|
| M.KHALEDI | N.MOKHTARANI | S.KAZEMI | N.T.S. | |
| DESIGN (CONSULTANT) | DESIGN.CH. | APPROVED | DATE | STD.ST. |
| N.MOKHTARANI | B.MIRZAEI | M.TAVAJJOH | AZAR 81 | 1000.60.30000 |
| | | | | A |